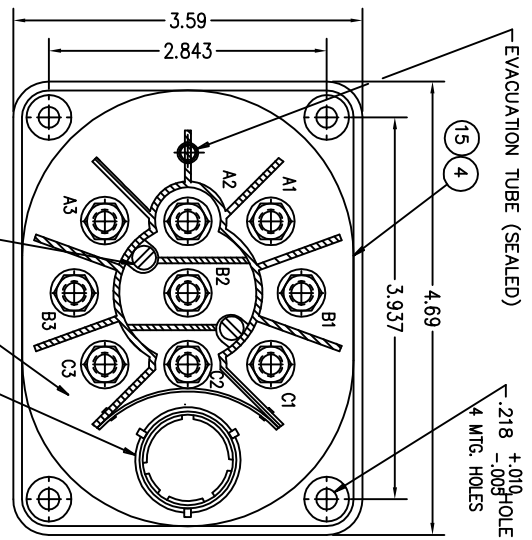


| REV | DESCRIPTION  | DATE     | APPROVED |
|-----|--|----------|----------|
| P   | 33862 FIND NO 12 52516-01T REMOVED. CONNECTOR REF ADDED. KEYWAY RELOCATED. FIND NOS 14 & 15 ADDED. | 97/10/06 | RS       |
| R   | 42133 EVAC TUB RELOCATED. CON. WAS MS83723-80-162AN, 1500 HZ WAS 500 ON VIB. REF WAS GEN DYNAMICS  | 00/03/01 | RS       |
| T   | 11-019598 ADDED ITEM 16  | 11/04/12 | CB       |
| U   | 14-019365 ITEM 7 WAS 50407-014 NUT; ITEM 11 WAS AN9358416  | 14/12/29 | MDM      |

**CONSTRUCTION**  
 MAIN CONTACTS  
 CONFIGURATION  
 VOLTAGE NOMINAL  
 CURRENT RESISTIVE  
 INDUCTIVE  
 MOTOR  
 RUPTURE  
 OVERLOAD

**AUXILIARY CONTACTS**  
 CONFIGURATION  
 VOLTAGE (NOMINAL)  
 CURRENT RESISTIVE  
 INDUCTIVE  
 LAMP

**HERMETICALLY SEALED**  
 3 PDT CENTER OFF LATCHING  
 115/200 VAC 400 HZ  
 120 AMPS  
 120 AMPS  
 80 AMPS  
 1000 AMPS  
 800 AMPS



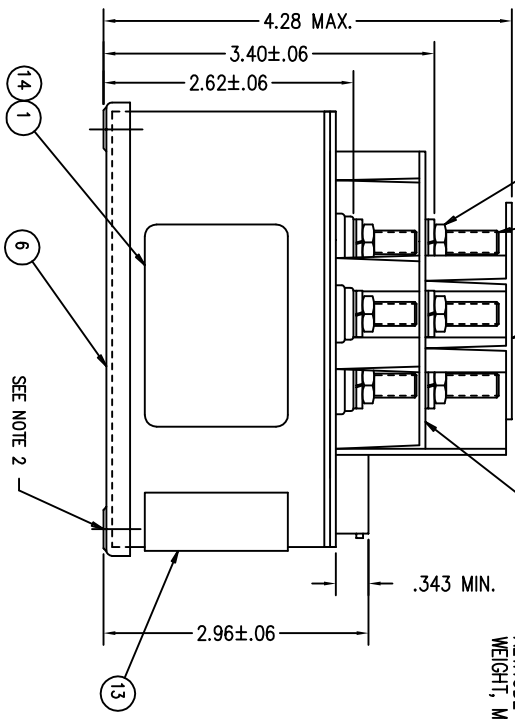
**LIFE ELECTRICAL**  
 MAX. OPERATE VOLTAGE  
 MIN. OPERATE VOLTAGE

**COIL DATA**  
 DUTY CYCLE  
 MAX. OPERATE VOLTAGE  
 MIN. OPERATE VOLTAGE

**COIL CURRENT**  
 TRIP CURRENT  
 OPERATING TIME

**TRANSFER TIME MAX.**

**ENVIRONMENTAL DATA**  
 AMBIENT TEMPERATURE  
 VIBRATION, SINE  
 ACCELERATION  
 SHOCK  
 ALTITUDE  
 WEIGHT, MAX.



- NOTE:**
1. APPLY VOLTAGE TO +1 -2 ONLY, CLOSES A1, B1, C1 FROM ANY POSITION. APPLY VOLTAGE TO +21 -2 ONLY, CLOSES A3, B3, C3 FROM ANY POSITION. APPLY VOLTAGE TO +22 -2 ONLY, RETURNS TO CENTER OFF POSITION FROM EITHER POSITION.
  2. FOUR MFG. HOLES SHALL BE PAINT-FREE ON BOTH SIDES OF THE MOUNTING FLANGE FOR GROUNDING PURPOSES.
  3. COIL TRANSFER VOLTAGE LIMITED TO ±50 VOLTS REFERENCED TO ZERO VOLTS.

6 PDT  
 28 VDC OR 115 VAC 400 HZ  
 5 AMPS  
 5 AMPS  
 1 AMP

50,000 CYCLES MIN.  
 100,000 CYCLES MIN.

CONTINUOUS  
 30VDC  
 18VDC

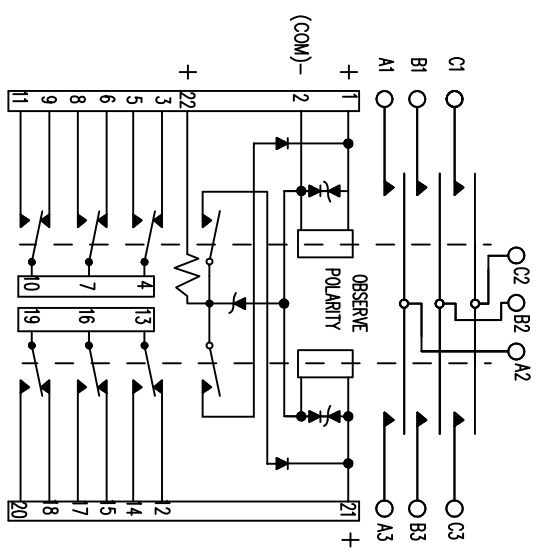
0.215 AMP MAX AT 25°C AND 28VDC (EA. COIL)  
 0.250 AMP MAX AT 25°C AND 28VDC  
 (AT ROOM TEMPERATURE AND 28 VDC)

35 MILLISECONDS

-55°C TO 71°C  
 .06 INCH DA FROM 10 TO 60 HZ  
 10 G'S FROM 60 TO 1500 HZ  
 10 G'S  
 15 G'S MAX FOR 11 MS ±1  
 60,000 FEET MAX.  
 2 LBS. 10 OZ.

35 MILLISECONDS

**CONFIGURATION CONTROLLED**



| FIND NO | QTY | PART OR IDENTIFYING NO | NOMENCLATURE OR DESCRIPTION  | FCOM NO | DRAWING OR SPECIFICATION | MATERIAL OR NOTE |
|---------|-----|------------------------|------------------------------|---------|--------------------------|------------------|
| 16      | 9   | 51703-070              | FLAT WASHER                  |         |                          |                  |
| 15      | 1   | 39529-008              | OVERLAY-WIRING DIAGRAM       |         |                          |                  |
| 14      | 1   | 39529-001              | OVERLAY-NAMEPLATE            |         |                          |                  |
| 13      | 1   | 17959-001              | PLATE - WARNING              |         |                          |                  |
| 12      |     |                        |                              |         |                          |                  |
| 11      | 9   | 51807-034              | WASHER-LOCK 1/4 SPLIT        |         | MS35338-101              | BRONZE           |
| 10      | 2   | 51805-011              | WASHER-#5 SPLIT, LOCK        |         |                          | BRONZE           |
| 9       | 2   | 51205-411              | SCREW-5-40 X 1 3/8 RD.HD.    |         |                          | STEEL            |
| 8       | 2   | 51701-180              | WASHER-.015 X .103 X 3/16    |         |                          | MYLAR            |
| 7       | 9   | 50407-364              | NUT-1/4 X 7/16 X 3/16 HEX    |         | MS35650-3255             | BRASS            |
| 6       | 1   | 33462-010              | CONTACTOR ASSEMBLY - PRIMARY |         |                          |                  |
| 5       | 1   | 19689-010              | TERMINAL SHIELD ASSEMBLY     |         |                          |                  |
| 4       | 1   | 33470-001              | PLATE-WIRING DIAGRAM         |         |                          |                  |
| 3       | 1   | 18345-003              | PLATE-BASE COVER             |         |                          |                  |
| 2       | 1   | 17540-001              | SHIELD-TERMINAL TOP          |         |                          |                  |
| 1       | 1   | 41073-001              | PLATE - NAME                 |         |                          |                  |

| DR BY                | RLS      | CHK BY | RS       | ENGR | MRR      | MFG | CC       | SIZE | CODE IDENT |
|----------------------|----------|--------|----------|------|----------|-----|----------|------|------------|
|                      | 00/04/26 |        | 00/04/26 |      | 00/05/01 |     | 00/05/02 |      |            |
| LOCKHEED FT WORTH    |          |        |          |      |          |     |          |      |            |
| C-4925-1             |          |        |          |      |          |     |          |      |            |
| SCALE NONE SHEET     |          |        |          |      |          |     |          |      |            |
| DHL-31               |          |        |          |      |          |     |          |      |            |
| REF TE P/N 1616050-7 |          |        |          |      |          |     |          |      |            |

**STE**

Hot from the Division - 175 N. DIAMOND STREET, MANSFIELD, OHIO 44902

CONTACTOR-3PDT CENTER OFF  
 LATCHING 120 AMP, 400HZ 28VDC  
 COIL

DWG NO. DHL-31